

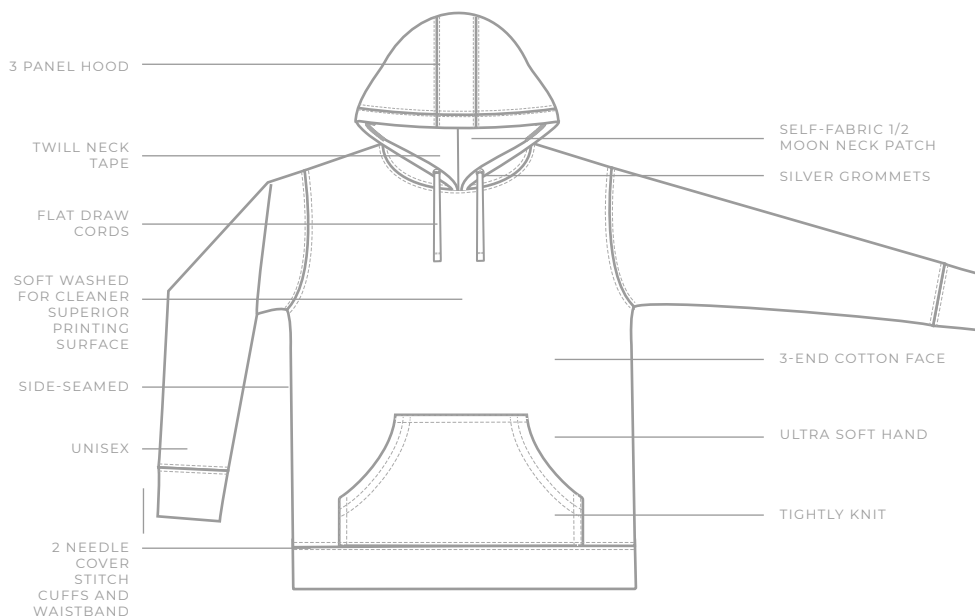
COTTON HERITAGE

PRODUCT SPECIFICATIONS

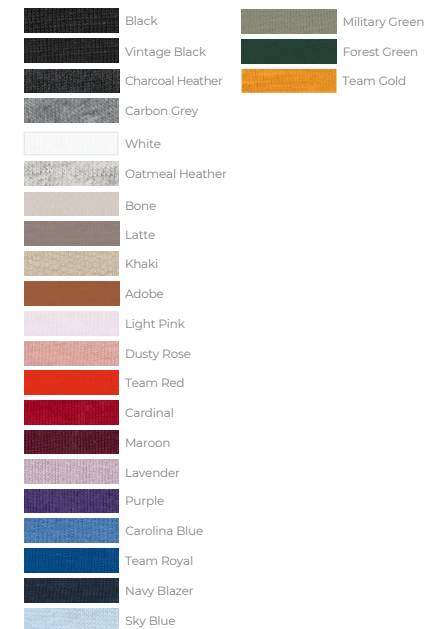
STYLE: M2580

CATEGORY: FLEECE

NAME: PREMIUM PULLOVER HOODIE



AVAILABLE COLORWAYS



FABRIC

- 8.5 oz.
- 100% cotton-faced exterior
- 65/35 cotton/polyester blend
- Heathers 55/45 cotton/polyester

tear
away
label



Detail	XS	S	M	L	XL	2XL	3XL	4XL	5XL	6XL
Chest Width	19	20	21	23	25	26.5	28	29.5		
Body Length	26	27	28	29	30	31	32	33		
Sleeve Length	23.5	23.5	24	24	24	24	24	24		
Printable Area Chest Height	11.5	13	13.5	14	14.5	15	15.5	16		
Printable Area Sleeve Width (5 inches from Cuff Edge)	5.25	5.5	5.75	6	6.5	6.625	7	7.5		

*Chest Width measured 1 inch below arm hole

*Body Length measured from high point of shoulder to bottom